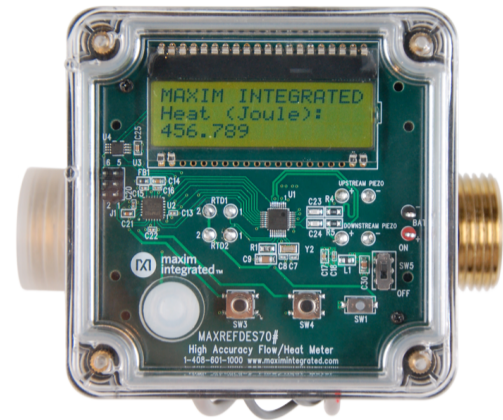
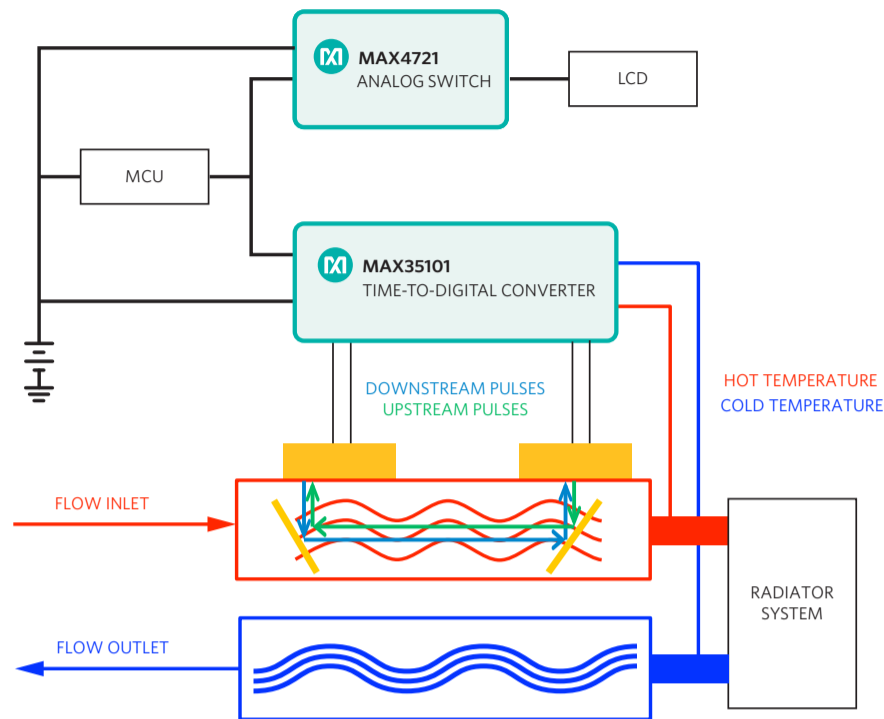


HIGH-PRECISION, LONG-BATTERY LIFE HEAT/FLOW METER




MAXREFDES70



Accelerate your heat/flow meter development with our ultrasonic time-of-flight flow meter. MAXREFDES70 arrives with a complete ultrasonic flow measurement system, including piezoelectric transducers and spool body for both upstream and downstream pulsing. The system employs sophisticated DSP techniques to measure time-of-flight difference for a highly accurate flow rate calculation, especially at low flow rates.

KEY BENEFITS

- Ultra low power enables 20 years of battery life
- Superior accuracy enables leak detection, resource conservation
- Easy to enable and monitor tamper detection
- Complete system design reduces development cost
- Large flow rate range allows wide range of applications
- Complete system design speeds development time
- Compact design saves space in a low-cost solution

Products		Order
MAX35101	Time-to-Digital Converter with Analog Front-End	
MAX4721	4.5Ω Dual SPST Analog Switches in UCSP	
MAXREFDES70	High-Precision, Long-Battery Life Heat/Flow Meter	

RELATED RESOURCES

 [Metering and Measurement Solutions](#)

 [Flow Measurement Partners](#)